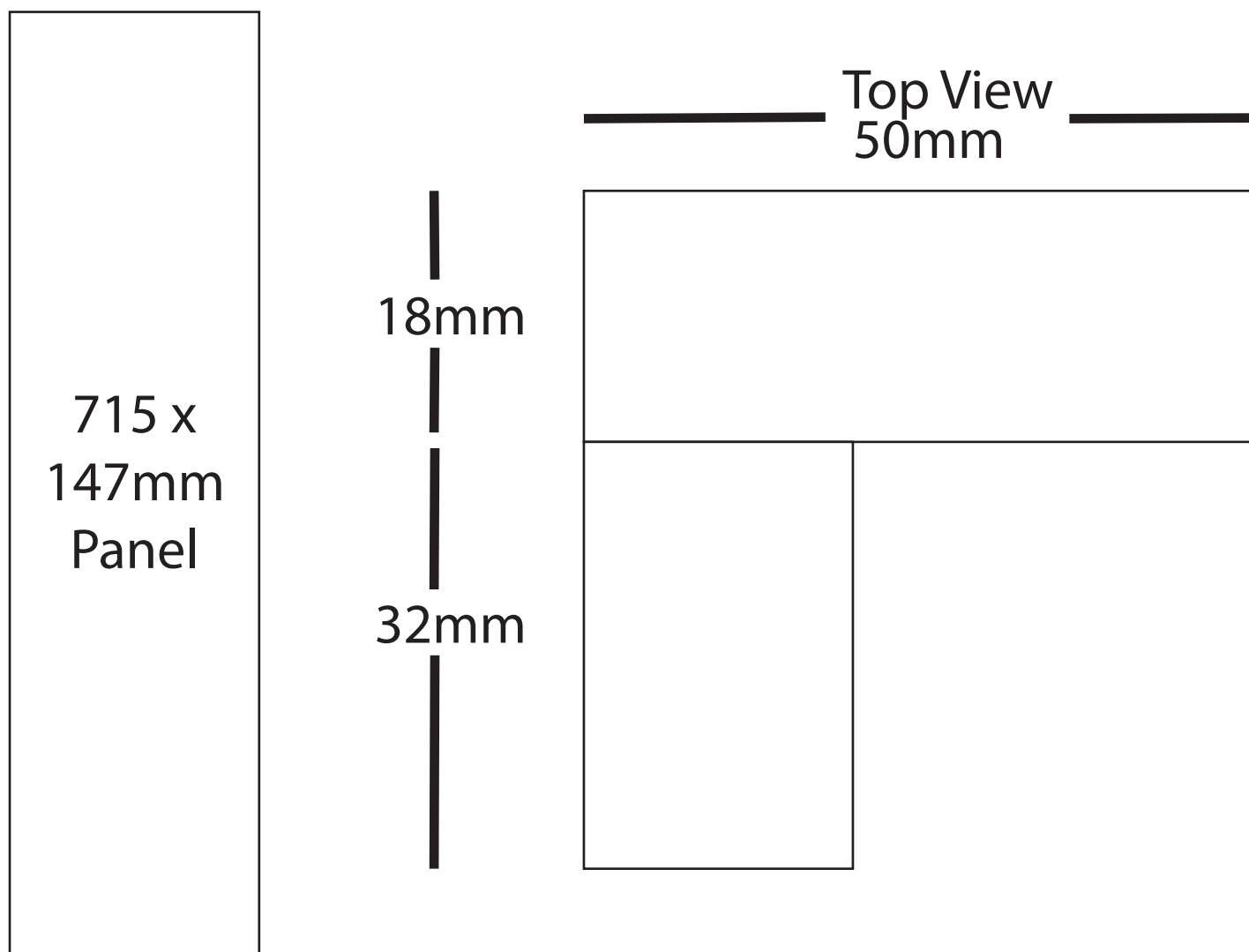


Corner Post Instructions - For Fitter

For a 50mm x 50mm (example) corner post cut a 50mm strip off one side of the panel, then cut another strip from the other side measuring 50mm minus the depth the first strip (18mm - 23mm depending on door)



Then attach the 2 pieces together in a L-shape giving a perfect corner post.

We supply corner posts this way as all kitchens are different and need different width posts.