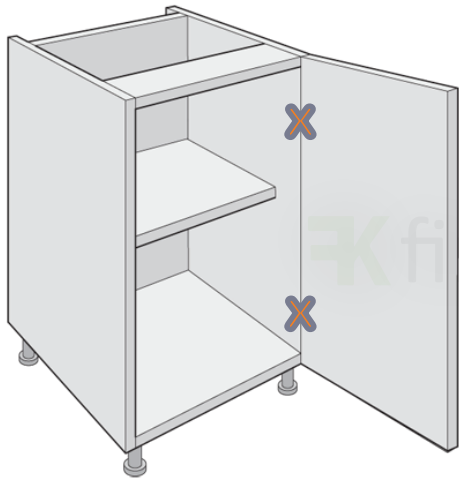


Almost all kitchens use standard size hinges. Where they differ is the position of these hinges. We can drill hinge holes in your new doors for you wherever you need them, making fitting your new doors a breeze.

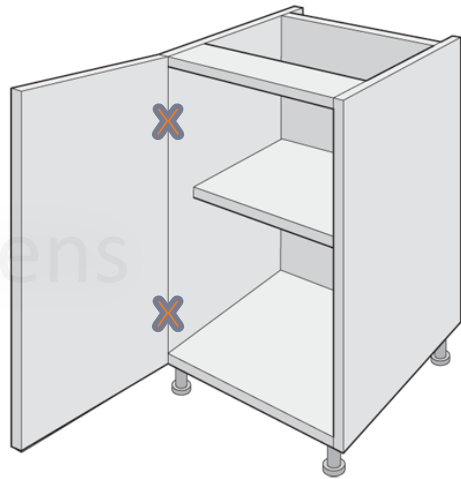
To do this we need to know which side of the door your hinges will be:

Right Hand Hinge



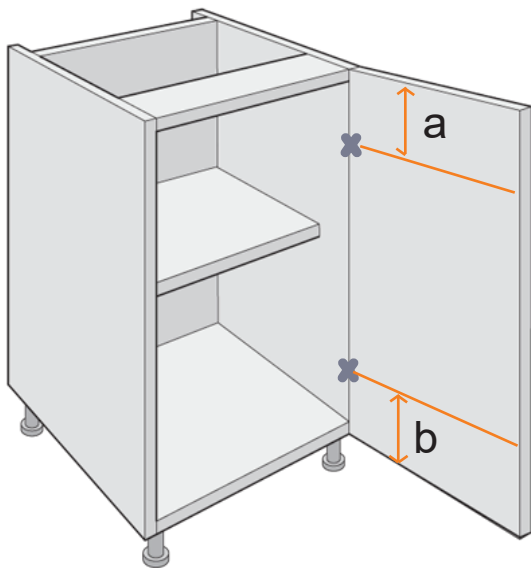
Hinges are on right side of unit, so door is right-hand hinged (or RHH)

Left Hand Hinge



Hinges are on left side of unit, so door is left-hand hinged (or LHH)

We also need to know where you need the holes. Almost all kitchens use a standard 35mm concealed hinge, so we already know the size of hole to drill. We drill the holes a standard 5mm in from the side of the door so you don't need to measure this. Kitchen hinges are adjustable in/out anyway. It's the distance up and down the door we need.



Top Hinge

Measure from the top of the door to the centre of the top hinge (a)

Bottom Hinge

Measure from the bottom of the door to the centre of the bottom hinge (b)

TIP – Always measure the door, not the unit.

The door will be a few mm smaller in each direction to allow it to open freely without catching a door beside it.